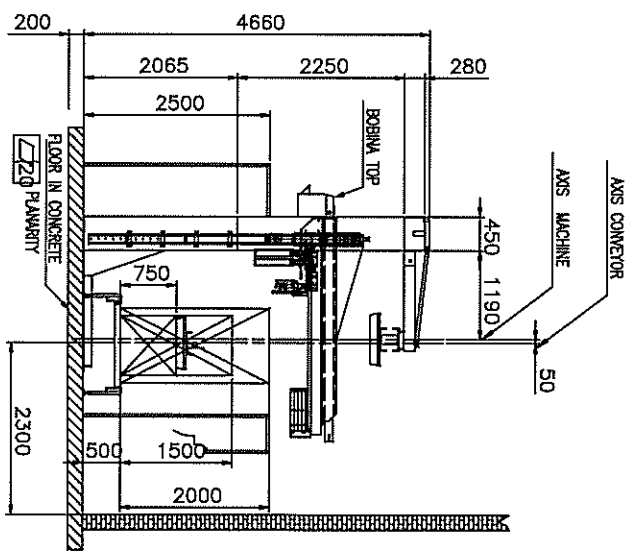
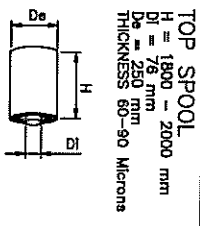


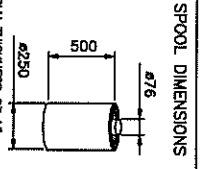
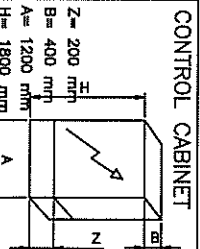
ATTENTION : ON THE WALL SIDE THERE MAY NOT BE ANY PASSAGE AND WALL HEIGHT MUST BE AT LEAST 2500 mm.



CONFIRM CONTROL CABINET POSITION  
SPEED CONVEYOR = Ml/min 18



**TECHNICAL FEATURES**  
POWER 18 kw  
VOLTAGE 400 V 50 Hz + NEUTRAL  
WORKING PRESSURE 6 ± 1 bar  
AIR CONSUMPTION 150 Nl/min



N.	DESCRIZIONE MODIFICAZIONE	DATA	FRAMA
1			
2			
3			

DATA 26-03-04  
 MACCHINA GENESIS HS TOP INSIDE 4904020057  
 CLIENTE AETNA DE P.J. "QUICK MIX"  
 Disegnatore A. Di STEFANI  
 Approvato D. Fantini  
 Direzione 3711310323

